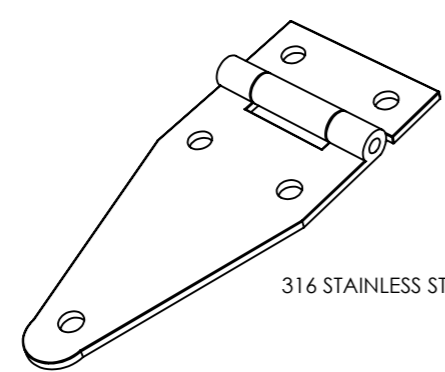
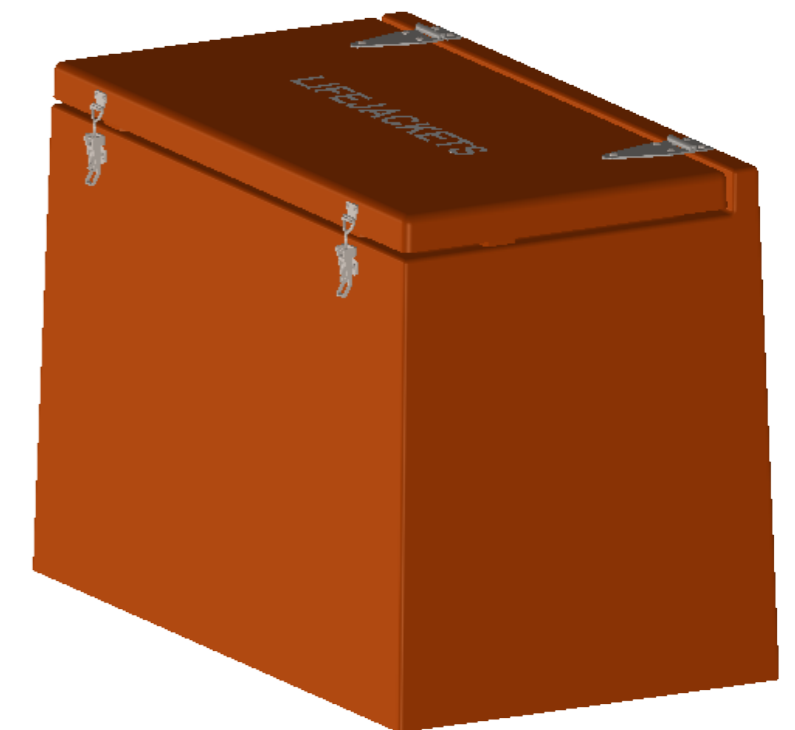
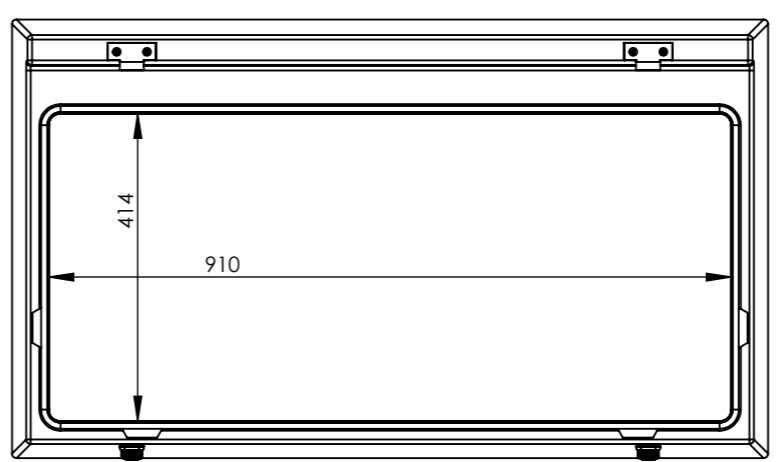
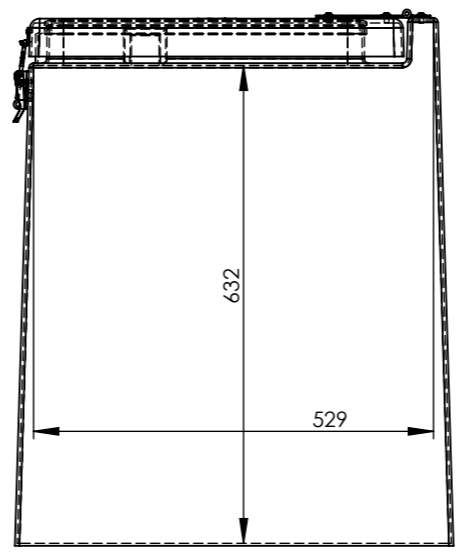
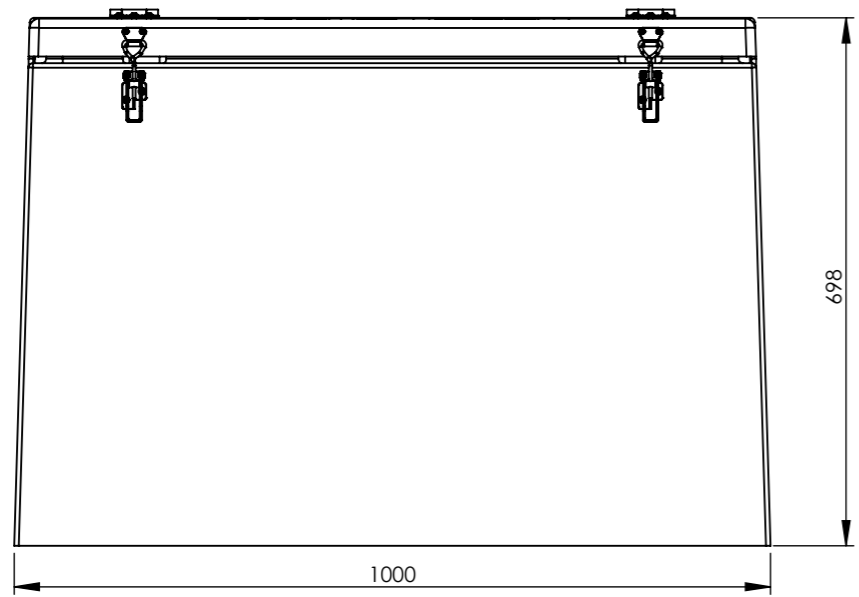
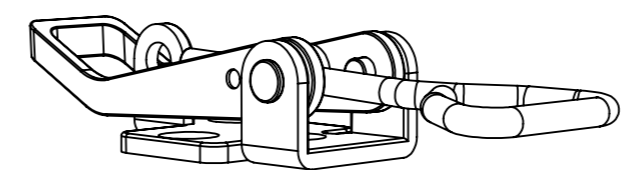


SPECIFICATION	
MATERIAL	3-4MM GRP
FIXING POINTS	150MM <sup>2</sup> PADS IN FEET
IP RATING	IP56
SEAL	EPDM
HINGES	P2202 316 STAINLESS STEEL
DOOR CATCH	316 STAINLESS STEEL PROTEX STYLE CATCH
COLOUR	ORANGE RAL2009
LETTERING	"LIFEJACKETS"
LETTERING SIZE AND COLOUR	50MM WHITE



316 STAINLESS STEEL HINGE P2202



316 STAINLESS STEEL PROTEX STYLE CATCH

	NAME	DATE
DRAWN	TW	31/07/2018
CHK'D	XX	31/07/2018
APPV'D	XX	31/07/2018
MFG	XX	31/07/2018
Q.A	XX	31/07/2018

MODEL: JB71	DO NOT SCALE DRAWING	REVISION A
UNLESS OTHERWISE SPECIFIED DIMENSIONS ARE IN MILLIMETERS		TOLERANCE 5% +/-
	FACTORY LANE, BASON BRIDGE, HIGHBRIDGE, SOMERSET, TA9 4RN, UK JOBIRD.CO.UK INFO@JOBIRD.CO.UK +44 (0)1278 785546	CABINET DETAILS: 698H x 988W x 580D DOOR APERTURE: 910H x 414W INTERNAL DEPTH: 632 WEIGHT: 20KG
		QUOTE REFERENCE: JRBQXXXXX CUSTOMER: XXXXX
		SCALE 1:10 SHEET 1 of 1