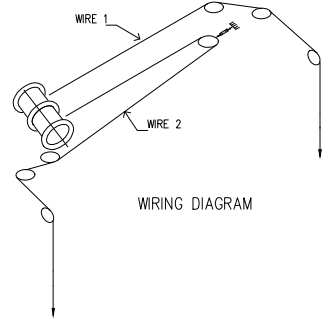


DAVIT TECHNICAL DATA:  
SAFETY WORKING LOAD: 200 kN  
WEIGHT of DAVIT: 14500 Kg, INCL. WINCH

MAX. NOMINAL REACTION FORCES FOR 20deg LIST & 20deg TRIM FOR EVERY DIRECTION  
(FOR ORIENTATION OF FORCES SEE LEGEND)

	FORCE X	FORCE Y	FORCE Z	MOM X	MOM Y	MOM Z
F1	±79 kN	±192 kN	±97 kN	±177 kNm	±42 kNm	460 kNm



NOTES:

- ALL ELECTRIC WIRING BY YARD.
- ALL FIELD WELDS TO BE PERFORMED ACC. TO APPROVED WPS (YARD RESPONSIBILITY). ALL FIELD WELDING IS SUBJECT TO CLASS APPR. PRIOR TO WELDING.
- ALL FIELD WELDS SHOWN TO BE WELDED BY YARD DURING INSTALLATION.
- WIRE LENGTHS:  
WIRE 1:  $19m + H = X_m$   
WIRE 2:  $26m + H = X_m$   
WIRE LENGTH INCLUDE 3 WRAPS ON DRUM  
 $H =$  (HEIGHT FROM STOWAGE TO L.W.L. INCLUDE LIST AND TRIM.)  
 $X_m =$  Total wire length
- ALL MAIN STEEL S355. ALL OUTFITTING STEEL S235
- CENTER OF GRAVITY ONLY FOR DAVIT INSTALLATION INCLUDE WINCH
- ALL FORCES ARE NOMINAL FORCES WITHOUT ANY FACTORS ALL FOUNDATIONS SHALL BE DESIGNED WITH A FACTOR OF SAFETY OF MINIMUM 4.5.
- THE DAVIT IS IN ACCORDANCE WITH THE LATEST REQUIREMENTS TO SOLAS
- STARBOARD DAVIT SHOWN. PORT SIDE DAVIT IS MIRRORED

3	Reissued for approval	MISO	ALJI	WAGU	22.06.2019
2	Updated reaction forces based on SWL added.	ALJI	GACA	WAGU	18.11.2015
0	Issued for approval	MIM	TKE	JJB	13.11.2013
REV	DESCRIPTION	BY	CHECK	APPRO	DATE

REVISION HISTORY

**VIKING NORSAFE**

VIKING NORSAFE Life-Saving Equipment Norway AS  
P.O. Box 115  
4852 Færøvik  
NORWAY  
Tel: +47 37 05 85 00  
Fax: +47 37 05 85 01  
24/7 Service: +47 37 05 63 33  
Email: viking@viking-life.com

This drawing is the sole property of VIKING NORSAFE Life-Saving Equipment Norway AS. It must not be submitted to other parties nor used in any manner detrimental to our interests. It shall not be copied, reproduced, used for manufacturing or sale without the written consent of VIKING NORSAFE Life-Saving Equipment Norway AS. All rights are reserved.

DWG SIZE: A3 SCALE: 1:20 COPY OF: \_\_\_\_\_  
CLIENT NO: \_\_\_\_\_ PROJECTION METHOD: \_\_\_\_\_  
TOLERANCES: ISO 2768-mk, ISO 13920-BF REVISION: 3  
DWG No.: G-500230 PROJECT: \_\_\_\_\_  
PART NO.: \_\_\_\_\_ WEIGHT: \_\_\_\_\_ SHEET: 1/1

**C-185 Davit GA for Lifeboat Type JYN115**  
General Arrangement