

1

2

3

4

5

6

A

B

C

D

E

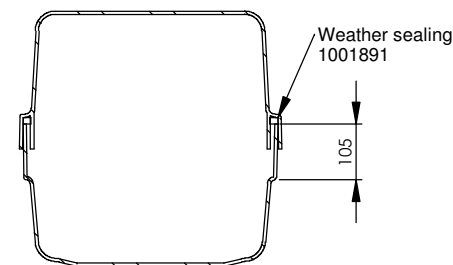
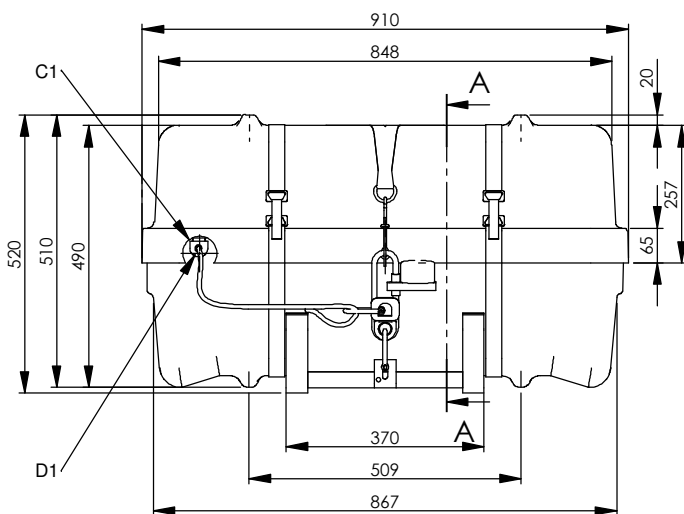
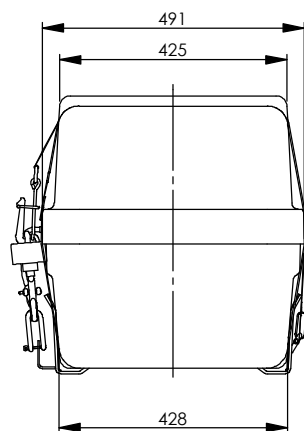
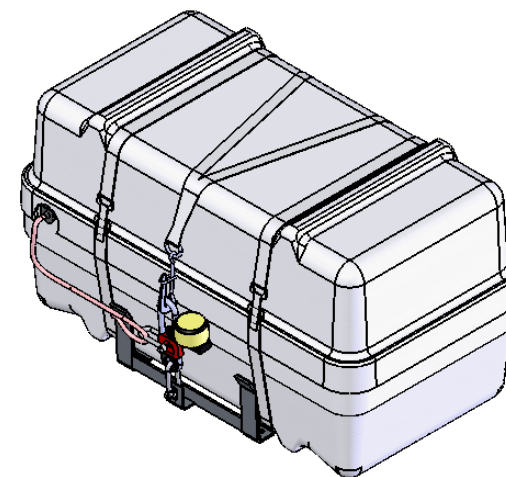
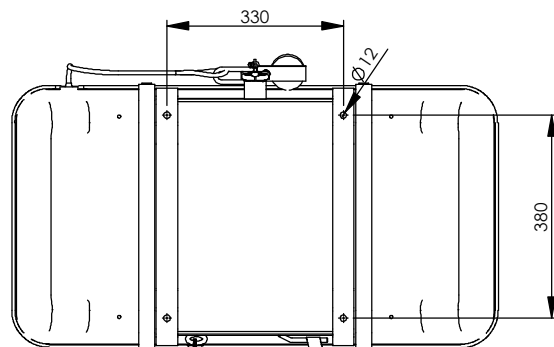
A

B

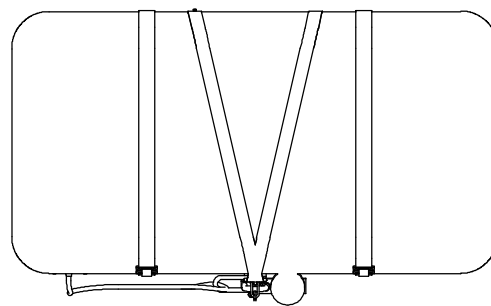
C

D

E



SECTION A-A



Note :  
All Slots dimensions measured from center of the container.  
Cut slots see WI no 2198E.  
Cut edges and drain holes see WI2097E.

Location	C1	D1
Dimension(mm)	347 ±5	347 ±5

REV	DESCRIPTION	DATE

2	CRADLE CPL NO LASHING STAINLES	1004546	300-024	SS
1	CRADLE CPL. NO LASHING GALVANI	1004544	300-024	Fe 360
Item	Object	Part no	Drawing no	Material

If the product is requested to be manufactured differently, this MUST be approved by VIKING LIFE-SAVING EQUIPMENT A/S and a specification of change must be filled in if the alteration is approved. Unless otherwise specified the product must always be clearly labelled with Viking part no., manufacturer ID and manufacturing year.

MATERIAL NO: 1003296	Old DWG No: -	STATUS:	UNITS: mm/kg	WEIGHT: 37582.926	CHECK DATE/INIT: /
BASIC MATERIAL:	SURFACE TREATMENT: -	SHEETSIZE: A3	SCALE: 1:10	SHEET NO: 1/1	DRAWN DATE/INIT: /

	VIKING LIFE-SAVING EQUIPMENT A/S Sædding Ringvej 13, DK-6710 Esbjerg V Tel.: +45 7611 8100 Fax.: +45 7611 8101 E-mail: viking@viking-life.dk Web: www.VIKING-life.com	PROJEKTION TYPE  <b>FIRST ANGLE PROJECTION</b> GENERAL TOLERANCE : -	DESCRIPTION : Container 016-0011/A/G (4DK A+B & 6DK) HYDROSTATIC RELEASE UNIT DK 84 W/LINE 016-0300/-0314C
	Copyright of VIKING LIFE-SAVING EQUIPMENT DENMARK whose property this document remains. No part thereof may be disclosed, copied, duplicated or in any other way made use of except with the approval of VIKING LIFE-SAVING EQUIPMENT DENMARK.	CAD NO.: 14001352	Drawing NO.: 16001975

1

2

3

4

5

6