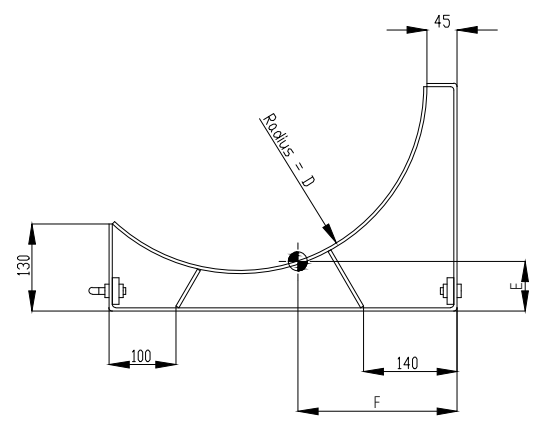
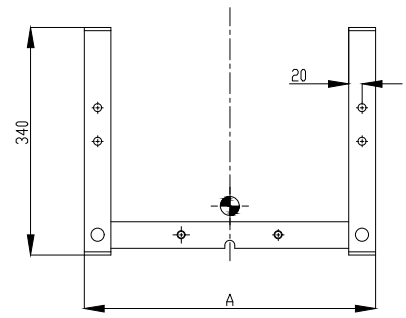
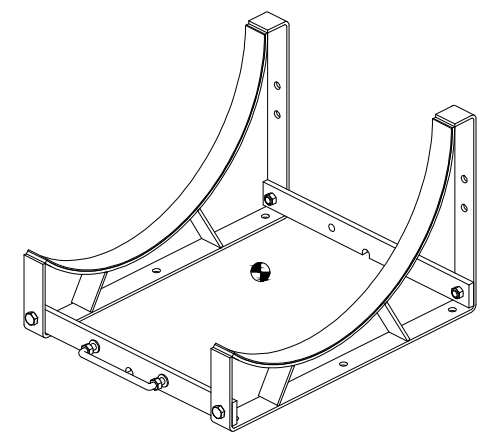
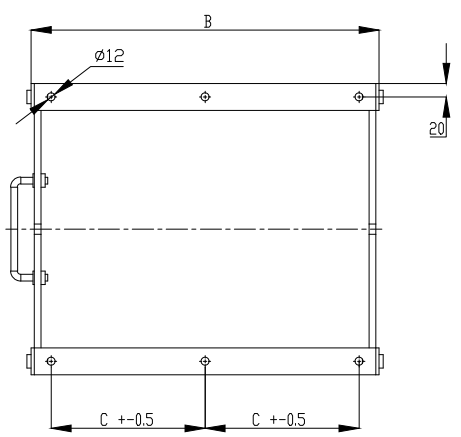
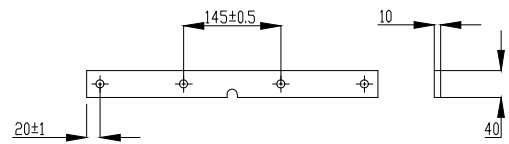


1 2 3 4 5 6 7 8

A  
B  
C  
D  
E  
F

A  
B  
C  
D  
E  
F



Center of Gravity

All holes Ø 12  
 Measures without tolerance. + - 3 mm  
 material: S235JR - EN 10025 /SS400 - TIS 1479  
 Surface: Hot galvanized class A JF, DS/ISD 1461  
 Sharp edges chamfered

If the product is requested to be manufactured differently, this MUST be approved by VIKING LIFE-SAVING EQUIPMENT A/S and a specification of change must be filled in if the alteration is approved. Unless otherwise specified the product must always be clearly labeled with Viking part no., manufacturer ID and manufacturing year.

MATERIAL NO	Des. Dwg. No.	STATUS	UNITS	WEIGHT	ORDER DATE/NO
S235JR			mm/kg	15	12-12-2012/DW
SURFACE TREATMENT		Hot Galvanized	SHEET SIZE	SCALE	SHEET NO. / DW
VIKING LIFE-SAVING EQUIPMENT A/S		PRELIMINARY TYPE	A4	1/1	12-12-2012/DW
Spøtting Øbjergvej 11, DK-4700 Esbjerg V Tel.: +45 702 8300 Fax: +45 702 8301 E-mail: viking@viking-a.com Web: www.viking-a.com		FIRST WAVE PROTECTION GENERAL TECHNICAL	DESCRIPTION		
GA Cradle for DK raft			DATE	DRAWING NO.	REV. NO.
			42003378	42003378	0

Copyright of VIKING LIFE-SAVING EQUIPMENT DENMARK whose property this document remains. No part thereof may be reproduced, stored, disseminated or in any other way made use of except with the approval of VIKING LIFE-SAVING EQUIPMENT DENMARK.

Rack part no.	Cpl. part no. w. Lashing	Cont. type	A	B	C	D	E	F	Weight(kg.)
1015846	1000012	4 - 6 - 8 DK	435	520	230	275	74	238	10
1015847	1000013	10 - 12 - 16 DK	500	550	245	310	73	254	10
1014758	1000053	20 - 25 DK	545	620	280	360	70.5	288	11
1017688	1015866	IMPAX con.	650	620	280	360	68	289	11

1 2 3 4 5 6 7 8