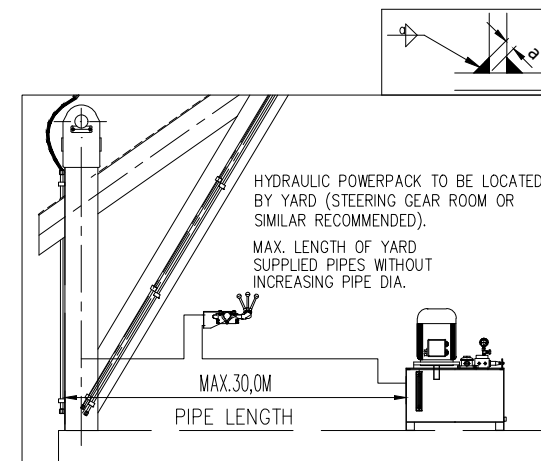
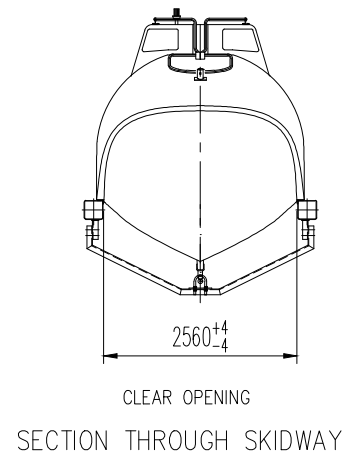
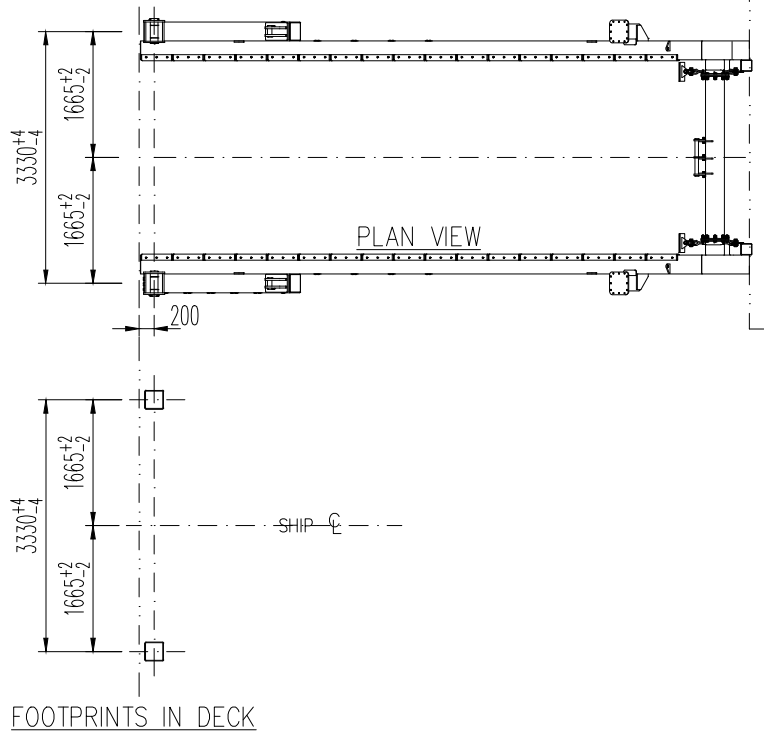
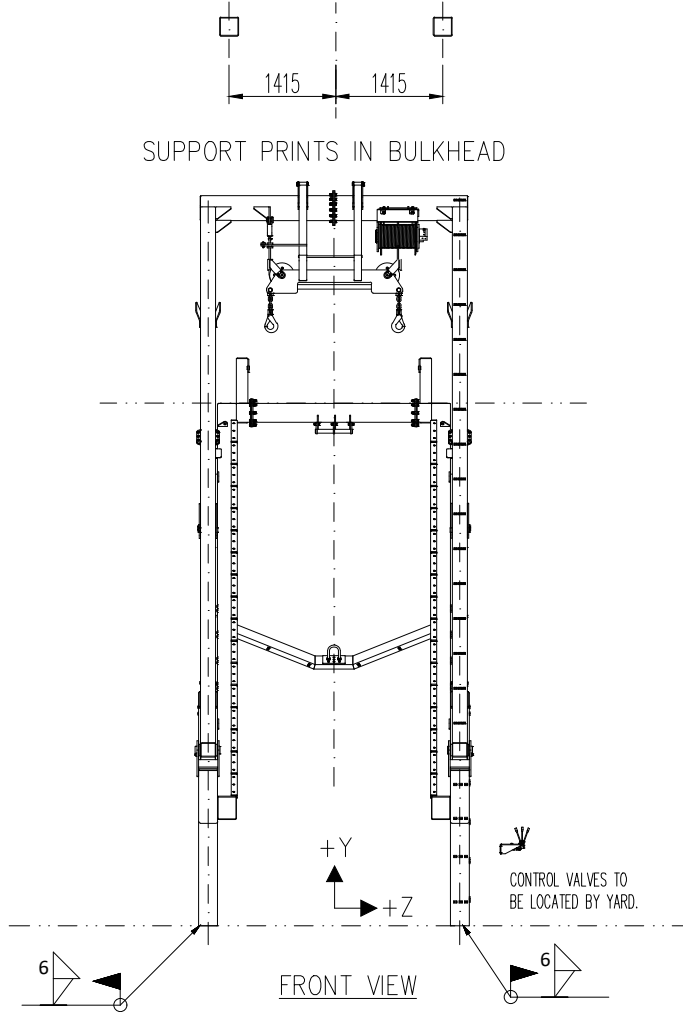
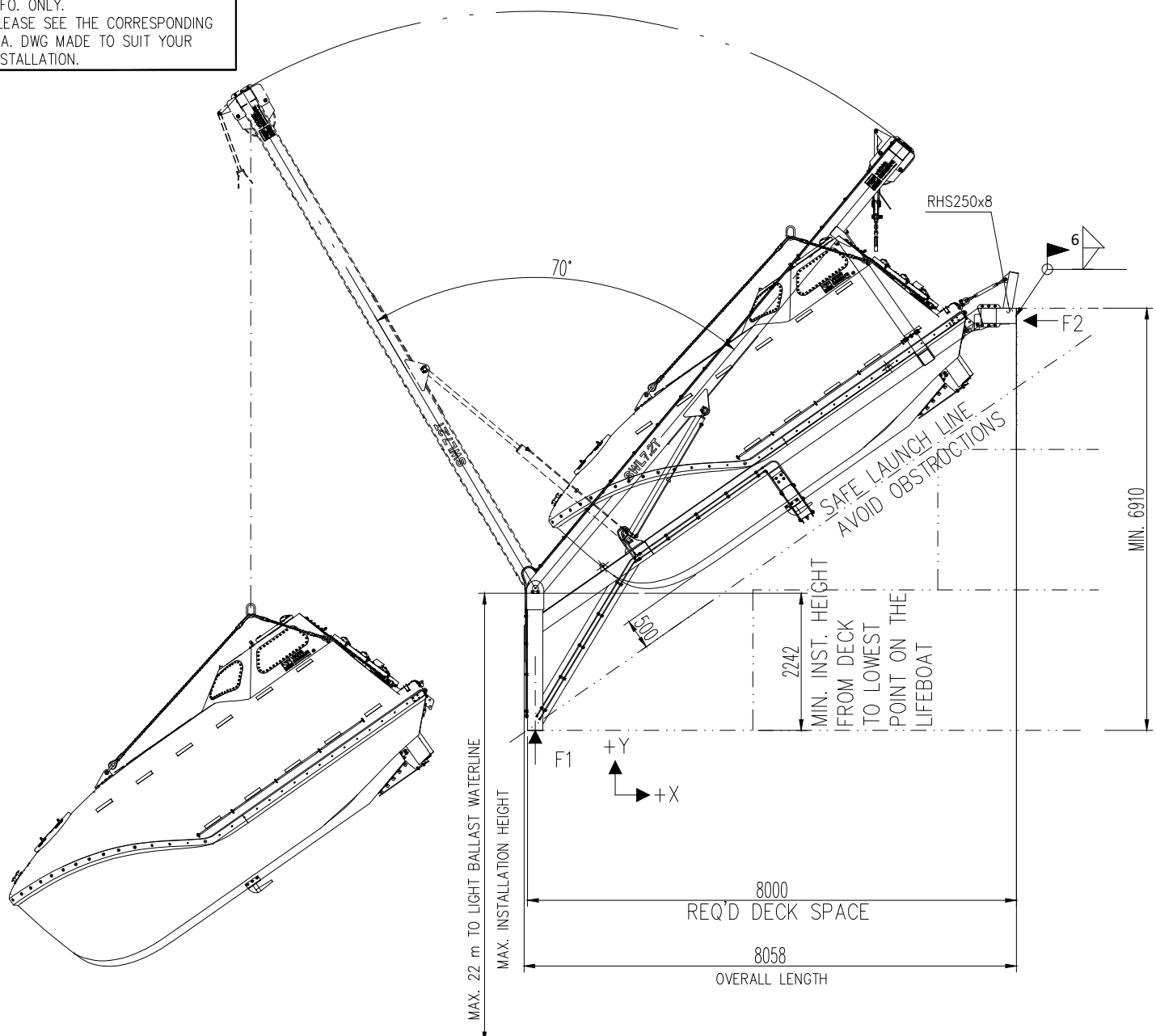


THIS DWG. IS FOR GENERAL INFO. ONLY. PLEASE SEE THE CORRESPONDING G.A. DWG MADE TO SUIT YOUR INSTALLATION.



HD-25 Davit for GES-25 Free Fall Lifeboat:	
SWL Lowering	7200 kg
Hoisting speed	5 m/min
Lowering speed	5 m/min
Total davit weight	6500 kg
Design specification	20° list / 10° trim
Primary means of launching	Free fall 20° list, 10° trim simultaneously
Secondary launching	Lowering by winch (5° list / 2° trim) EL. Power must be available
Max. inst. height	22 m

- NOTES:**
- Access platforms, handrails, doubler plates etc. :Yard supply.
  - Location of hydraulic power unit to be decided by yard. (Under-deck installation IP55).
  - Hydraulic piping between hydraulic power unit, davit and control valve to be yard supply.
  - All electric wiring by yard.
  - All field welds to be performed acc. to approved WPS. (Yard responsible)  
All field welding is subject to class approval prior to start welding.
  - All field welds shown to be welded by yard during installation.

**FORCES IN DECK (POINT LOAD EACH SIDE):**

	Horizontal	Vertical	Horizontal	Moment		
	FORCE X	FORCE Y	FORCE Z	MOM X	MOM Y	MOM Z
	kN	kN	kN	kNm	kNm	kNm
F1	±93	±96	±26	±43	±11	±20
F2	±106	±72	±11	±10	±13	±29

**Reaction forces:**  
Reaction forces as joint loads side, marked with nodes on deck interface.  
For orientation of forces see legend with marked XYZ vectors.  
All forces are point loads, nominal forces without any factors.

1	Reissued for approval	JUCH	CEZH	WAGU	26.06.2019
REV	DESCRIPTION	BY	CHECK	APPRO	DATE

**REVISION HISTORY**

**VIKING NORSAFE**  
VIKING NORSAFE LIFE-SAVING EQUIPMENT

VIKING Norsafe Life-Saving Equipment Norway AS  
P.O. Box 115 Tel: +47 37 05 85 00  
4852 Færvik Fax: +47 37 05 85 01  
NORWAY 24/7 Service: +47 37 05 63 33  
Email: Viking-Norsafe@viking-life.com

Drawn by JOZH Check by JETA Appr. by WAGU Initial release date 19.10.2015

Project number	Project name	Client number
Title <b>HD-25 DAVIT FOR GES-25 (INI WINCH/HYD FF)</b>		Material Number
Drawing type GA		Weight
Drawing Number G-501053		Projection method
Tolerances ISO 2768-mK, ISO 13920-BF		Scale 1:100
Revision 1		Sheet Size A3
		Sheet No. 1/1