

# Viking Norsafe HD-45 Free Fall Lifeboat Davit

## Technical Data:

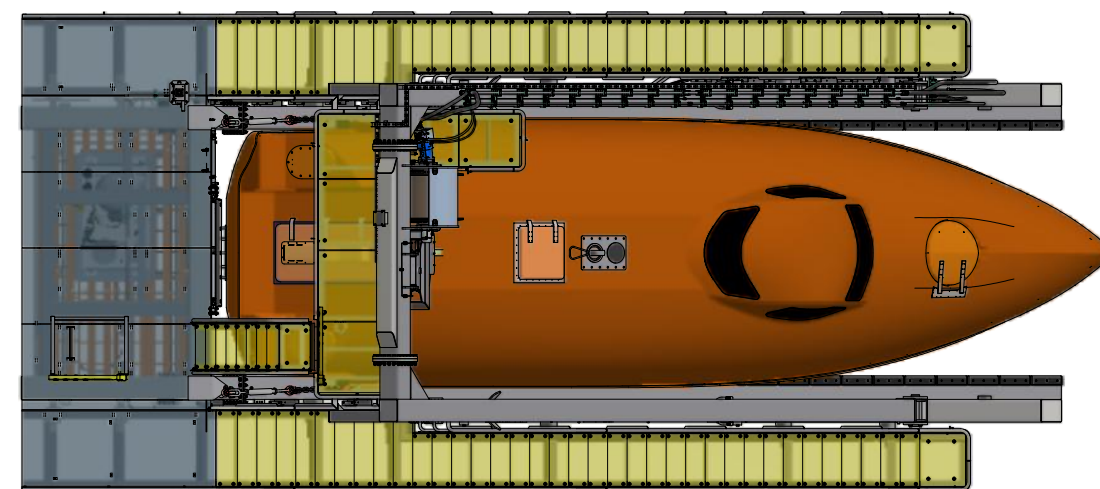
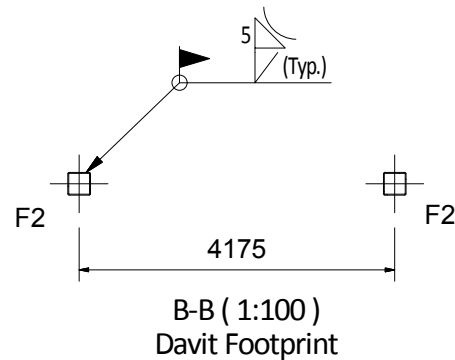
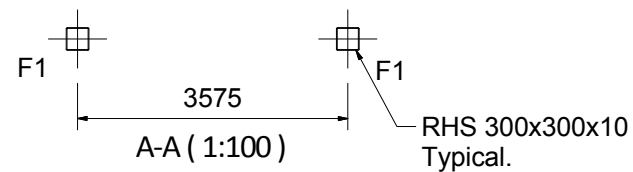
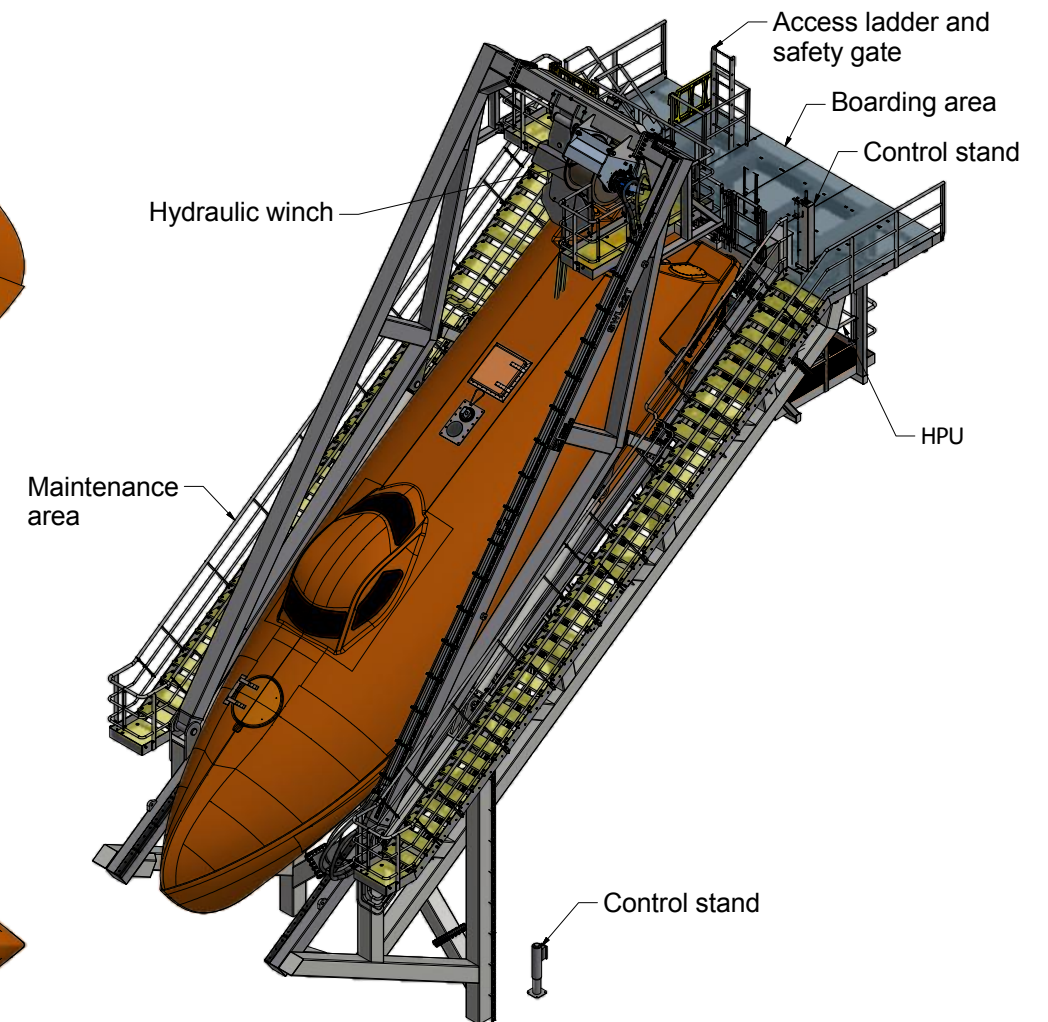
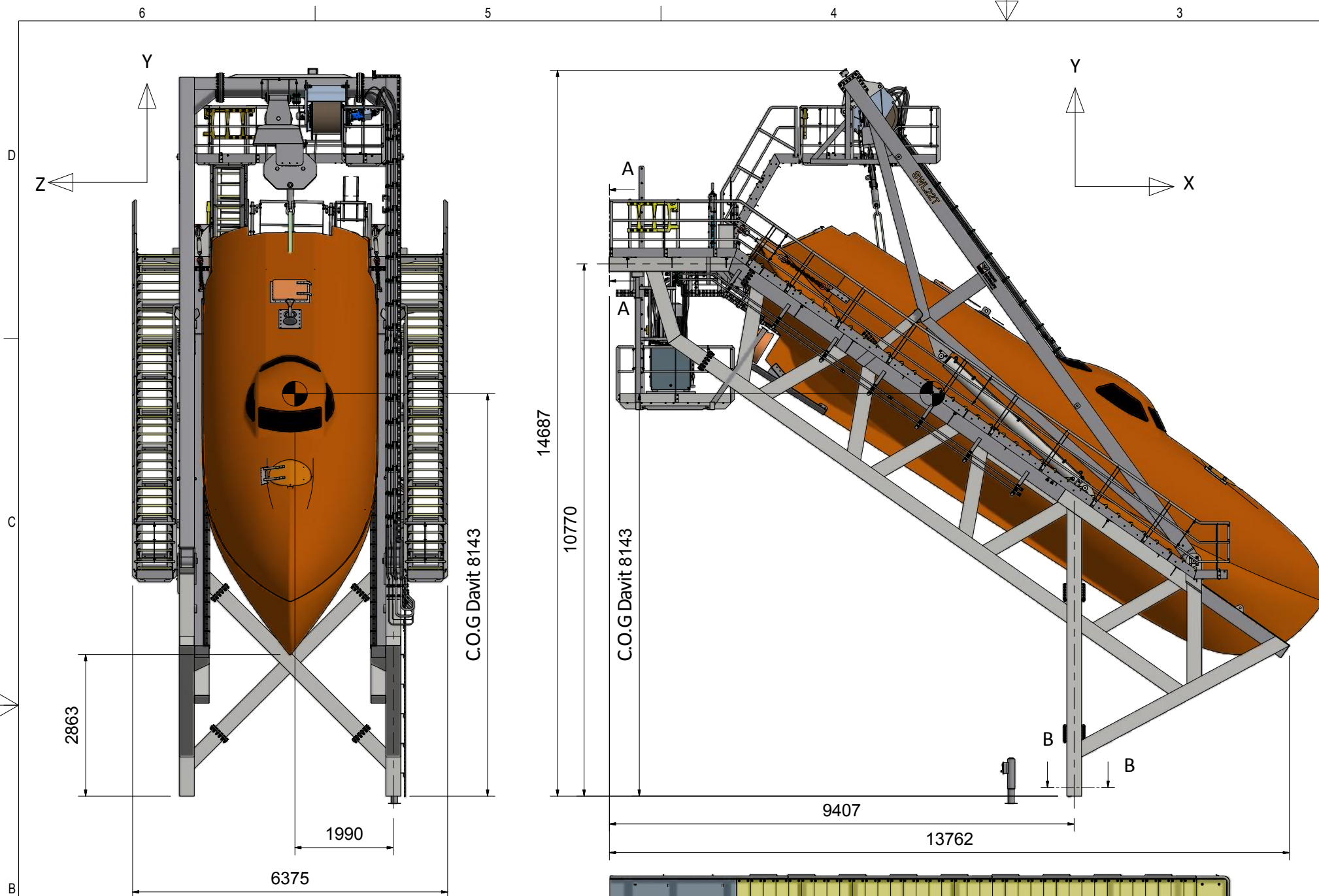
Davit weight approx:	35 000 kg
Safe Working Load:	22 000 kg
Lowering:	22 000 kg
Hoisting:	22 000 kg

Max installation height: 40 m  
Measured from lowest point on lifeboat to the sea level.

## Reaction Forces:

SOLAS: Unfactored reaction forces.  
R-002: Factored reaction forces. Load cases according to Norsok R-002.

All reaction forces are nominal point loads and will not occur at the same time. Detailed reaction forces are documented in reaction force reports.



FOOTPRINT / INTERFACE REACTION FORCES AND MOMENTS							
Regulation or Standard	Interface id	Fx (kN)	Fy (kN)	Fz (kN)	Mx (kNm)	My (kNm)	Mz (kNm)
SOLAS list +/- 20 deg trim +/- 10 deg	F1	306	145	57	7	43	36
SOLAS list +/- 20 deg trim +/- 10 deg	F2	328	297	88	69	70	136
R-002 list +/- 17 deg trim +/- 17 deg	F1	876	369	168	17	137	109
R-002 list +/- 17 deg trim +/- 17 deg	F2	755	743	356	160	207	305

2	Changed Logo to Viking Norsafe	CMVH	BEN	GNI	08.08.2019
1	Re-issued for construction	GNa	SHel	KED	10.11.2016
0	Issued for information	PJA	KSL	KSL	30.07.2015
REV	DESCRIPTION	BY	CHECK	APPRO	DATE

**REVISION HISTORY**

**VIKING NORSAFE**

VIKING Norsafe Life-Saving Equipment Norway AS  
P. O. Box 115  
4852 Faerвик  
NORWAY

Tel: +47 37 05 85 00  
Fax: +47 37 05 85 01  
24/7 Service: +47 37 05 63 33  
Email: Viking-Norsafe@viking-life.com

This drawing is the sole property of VIKING Norsafe Life-Saving Equipment Norway AS. It must not be submitted to other parties nor used in any manner detrimental to our interests. It shall not be copied, reproduced, used for manufacturing or sale without the written consent of VIKING Norsafe Life-Saving Equipment Norway AS. All rights are reserved.

DWG SIZE: A3	SCALE: 1:100	COPY OF:	PART NO.:	WEIGHT:	SHEET: 1/1
CLIENT NO.:	PROJECTION METHOD:	<b>HD-45 DAVIT HALF DECK MOUNTED STANDARD GENERAL ARRANGEMENT</b>			
TOLERANCES: ISO 2768-mk, ISO 13920-BF	REVISION: 2				
DWG No.: G-500958	PROJECT:				