

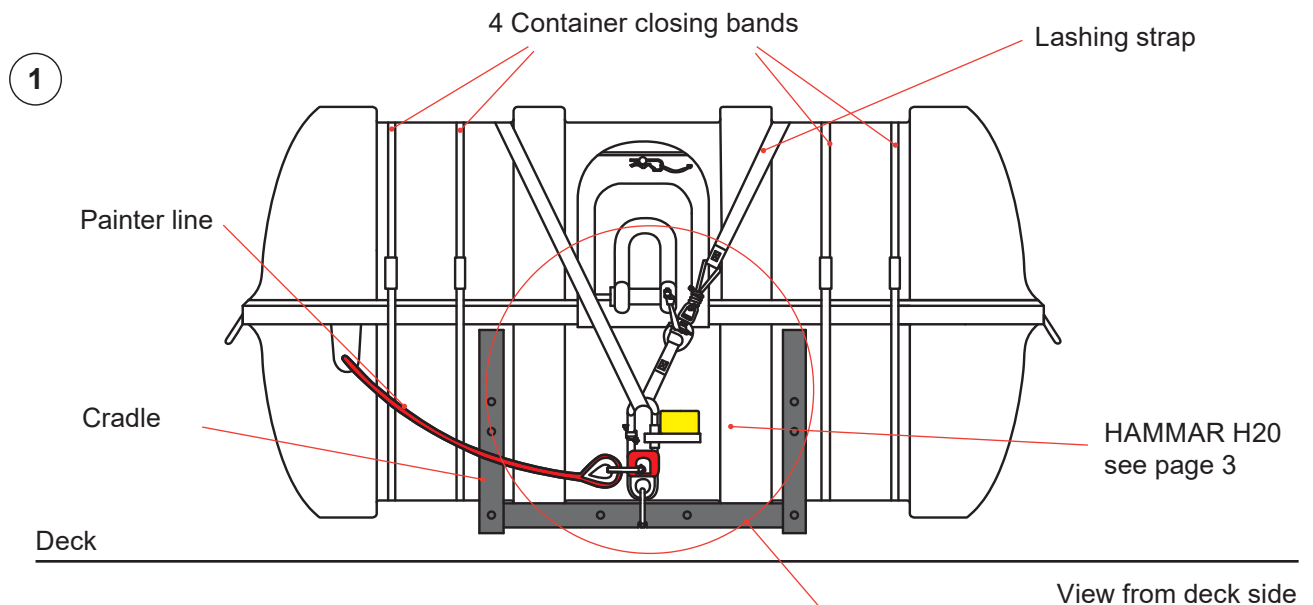
Installation Instruction - Davit Launchable Container in cradle

V-MI- 0107



Installation instructions for container on deck - model DKF.

With **HAMMAR H20** release unit



Parts required for installation:

- A: 6 M10 bolts
- B: 6 M10 nuts
- C: 12 washers

Fig. 1 Container fully mounted on deck

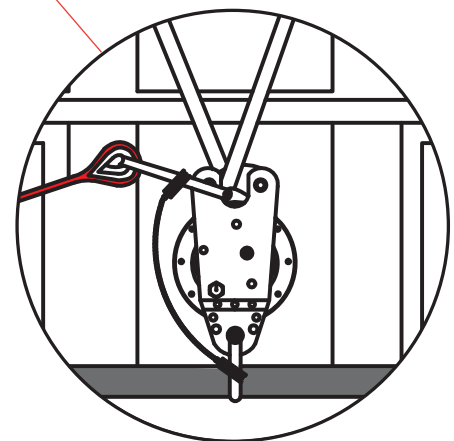
General guidelines for installation

Place the container in cradle within the reach of the davit.

Place the container so that the raft's painter- and launching arrangement can be operated from the deck (deck side).

When positioning the container on the deck, ensure that operation of the raft is not impeded, i.e. there must be unimpeded access to the raft's painter- and launching arrangement.

Regarding installation instructions - please see overleaf.



With **THANNER DK 84**
release unit

Note:

Lines, cords and lashings must be replaced if they have become frayed, damaged or decomposed.

Installation Instruction - Davit Launchable Container in cradle

V-MI- 0107



Fig. 2

Installation instructions

Instal the container in cradle on the deck by means of either bolting or welding.

Where it is not possible to install the container in cradle right on the deck it can be installed on special made profiles.

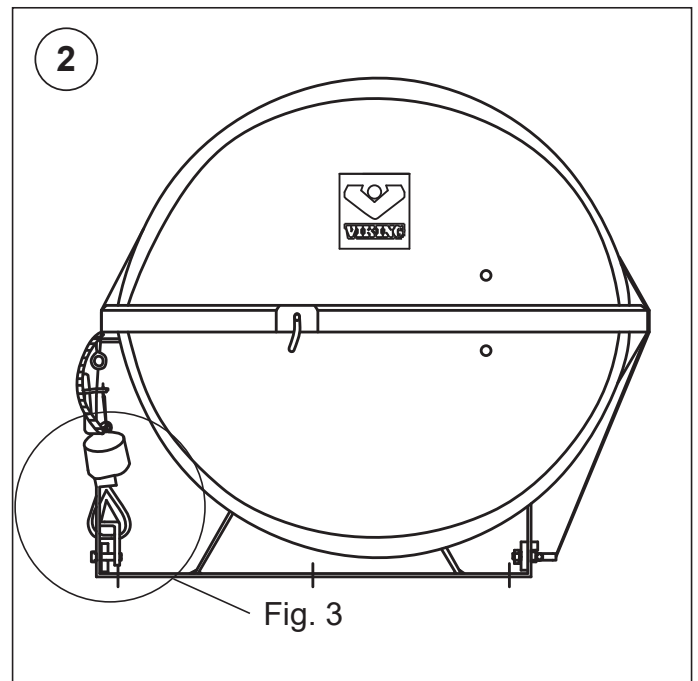


Fig. 3

Bolting

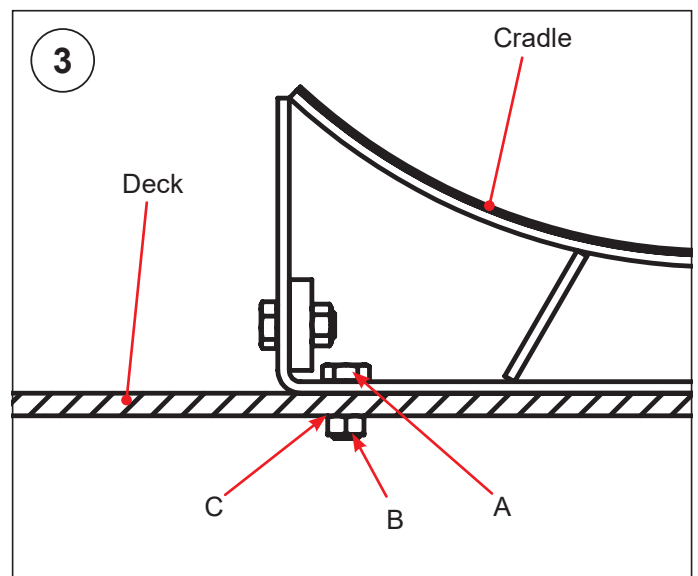
Bolt down the cradle by means of six M10 bolts, nuts and twelve washers, see fig. 3.

If the cradle is bolted down, the bolts must be retightened regularly to avoid that the cradle comes loose due to the vibrations of the vessel.

Welding

Weld the cradle to the deck with full welds along the edges which are in contact with the deck or the special made profiles.

For a key to the letters used in fig. 3, please see overleaf.



Caution

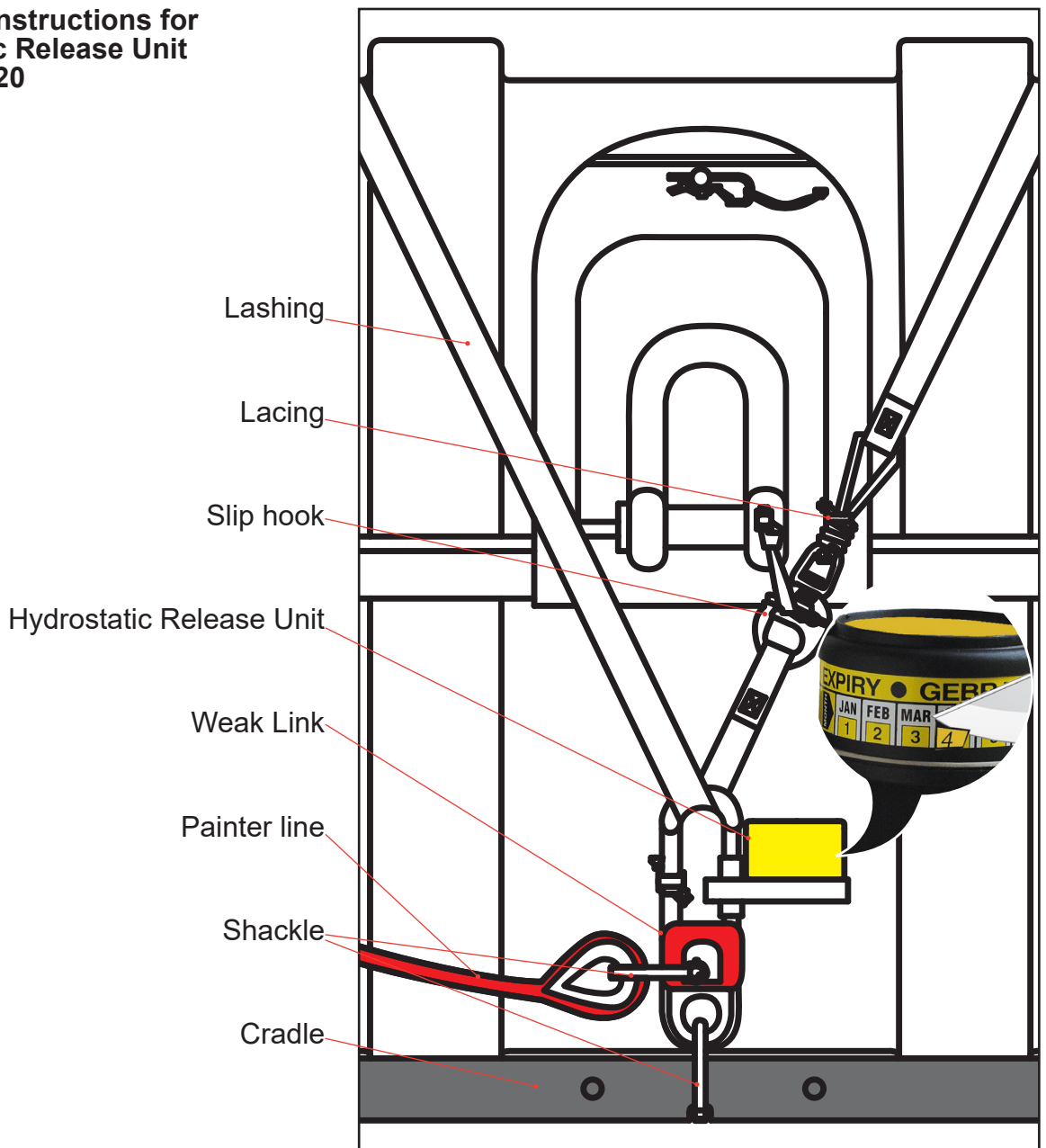
The bursting bands which closer the container should be clear of the cradle.

Installation Instruction - Davit Launchable Container in cradle

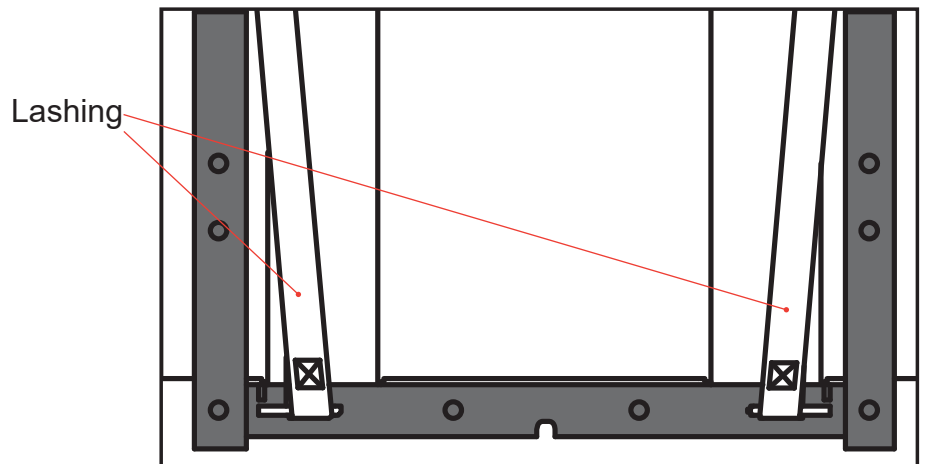
V-MI- 0107



Mounting instructions for
Hydrostatic Release Unit
Hammar H20



Lashing seen from back side



Installation Instruction - Davit Launchable Container in cradle

V-MI- 0107



Maintenance of Hooks and Lashing

This instruction is to help to control and maintain lashings of liferafts, that are not part of the Marine Evacuation System.

Lashing

The lashing of liferafts should be tight. Over the years they can start to rot, therefore you might have to change these.

Lashings have an approximate lifetime of 10 years. Lashings produced from 2018 forward are marked with expiration date, making it easier to plan replacement.



Lashing

Hook

VIKING has two types of hooks, Pelican hooks and Slip hooks.

Both are made of corrosive resistant material, but on rare occasions corrosion may be found.

Both can be maintained by greasing with GREASE OMEGA 66, Material no.1012028 or Anti-corrosion wax based treatment with coating TT-290 material no.1065173.

Long-time protection of steel parts.

Apply the corrosion protection on the surface with a brush. Wipe off all excessive wax without removing the wax from moving parts.

Ensure to replace when corrosion is observed, or let it be fixed by the servicing station, when liferaft is in for service.

All spare parts can be purchased through the VIKING Servicing Network.



Pelican hook



Slip hook