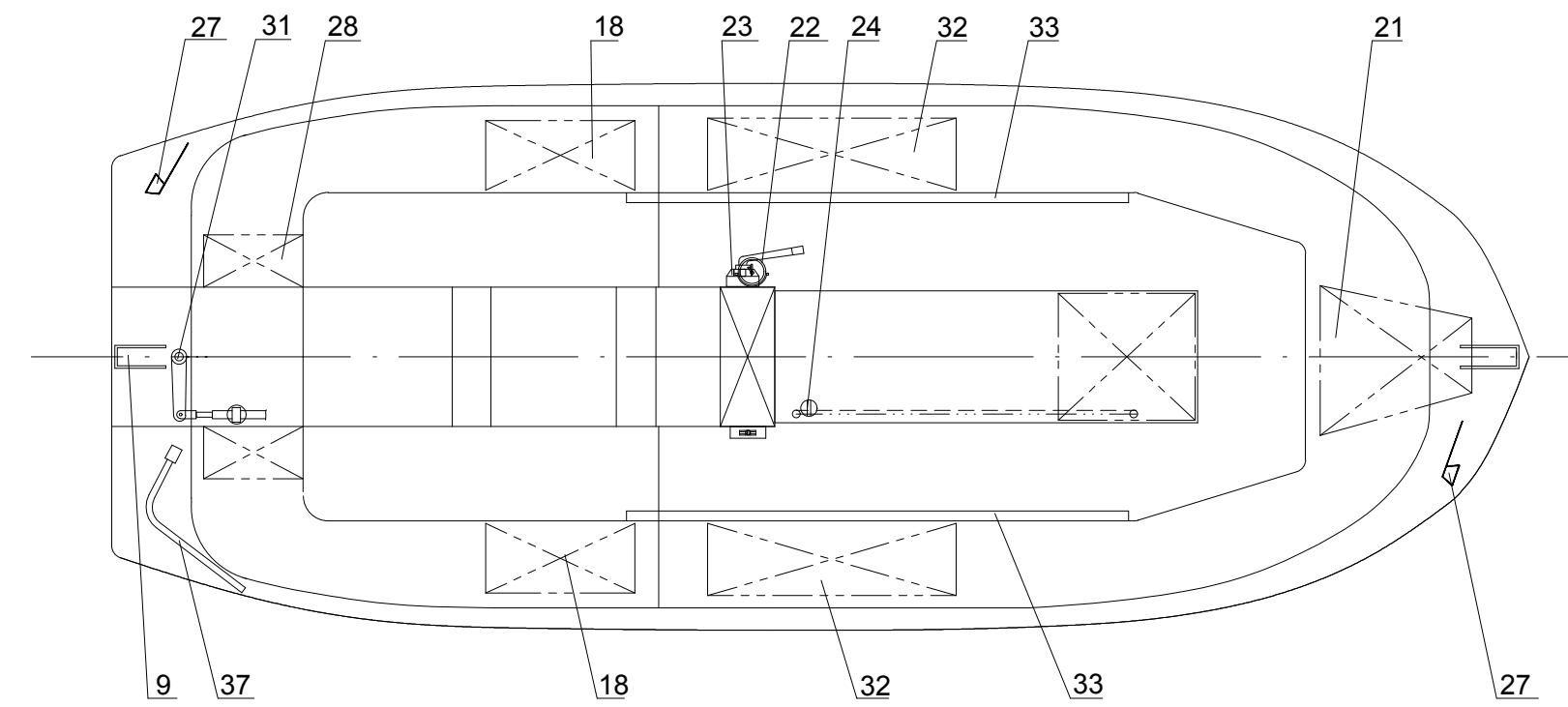


SECTION PROFILE



SECTION PLAN

Due to manufacturing reasons dimensions may vary up to 50mm

46	OPERATION PANEL	1		
45	HYDRAULIC PUMP OR TANK	1		
44	ACCUMULATOR	1		
43	PLUG FOR BATTERY CHARGING	1	IP67	
42	VENT FOR BATTERIES	1	SS 316 & PVC HOSE	
41	WATER SENSOR UNIT	1		
40	EMERGENCY RELEASE VALVE	1		
39	RAIN COLLECTOR	1	BRASS	
38				
37	EMERGENCY STEERING HANDLE	1	HOT DIPPED GALVANIZED STEEL	
36	SKATE	2	RUBBER & ALUM.	
35	RAIL	2	SEA WATER RESISTANT ALUM.	
34	FOOD COMPARTMENT	1	F.R.P.	
33	OAR/CRUTCH	2	WOOD	
32	WATER CABIN	2	F.R.P.WATER-RESISTANT	
31	STEERING GEAR	1		
30	ENGINE & PROPELLER SHAFT	1		
29	STEERING NOZZLE & PROPELLER	1	F.R.P./NiMn-Bronze Cu3-Cu4	
28	BATTERIES	2	70AH	
27	AXE	2		
26	PILLAR	1		
25				
24	DRAIN PLUG	1	BRASS	
23	MANUAL PUMP	1		
22	FIRE EXTINGUISHER	1		
21	FUEL TANK	1	SEA WATER RESISTANT ALUM.	
20				
19	SAFETY BELT	1/PERS		
18	EQUIPMENT COMPARTMENT	2		
17	DOOR LATCH	1 LOT	SS316 & PVC SHIELD WIRE ROPE	
16	BACK REST	1	PLYWOOD	
15	CONTROL PANEL	1		
14	SEARCH LIGHT	1		
13	INT. LIGHT	2		
12	PILOT CHAIR	1	F.R.P.	
11	PAINTER HOOK	1	HOT DIPPED GALVANIZED STEEL	
10	GRIPING BOBBIN	2	HOT DIPPED GALVANIZED STEEL	
9	HOOKS DEVICE ARRANGEMENT	2	NADIRO DIB 32	
8	LIFE LINE	2		
7	REMOTE CONTROL LINE HOLE	1		
6	DOOR	1 LOT		
5	BOLLARD	1	SS 316	
4	REFLECT LIGHT STRIP	1 LOT		
3	VENTILATOR	2		
2	POSITION LIGHT	1		
1	RADAR REFLECTOR	1		
NO.	REF.DWG.NO.	DESCRIPTION	QTY.	REMARKS

REV	DESCRIPTION	BY	CHECK	APPRO	DATE
1	USE NEW TEMPLATE	KARL	THWA	TMA	01.07.2019
0	ISSUED FOR CONSTRUCTION	VX	THWA	TMA	05.05.2015

REVISION HISTORY



VIKING NORSAFE

VIKING Norsafe Life-Saving Equipment Norway AS
 P.O Box 115 Tel: +47 37 05 85 00
 4852 Færøvik Fax: +47 37 05 85 01
 NORWAY 24/7 Service: +47 37 05 63 33
 Email: viking@viking-life.com

This drawing is the sole property of VIKING Norsafe Life-Saving Equipment Norway AS. It must not be submitted to other parties nor used in any manner detrimental to our interests. It shall not be copied, reproduced, used for manufacturing or sale without the written consent of VIKING Norsafe Life-Saving Equipment Norway AS. All rights are reserved.

DWG SIZE: A3	SCALE: 1:30	COPY OF:	PART NO.	WEIGHT:	SHEET: 1/1
CLIENT NO:	PROJECTION METHOD:	INTERNAL ARRANGEMENT			
TOLERANCES: ISO 2768-mk, ISO 13920-BF	REVISION: 1	NADIRO DIB 32			
DWG No: G-503213	PROJECT: STANDARD	JYN-57DC			
		GENERAL			